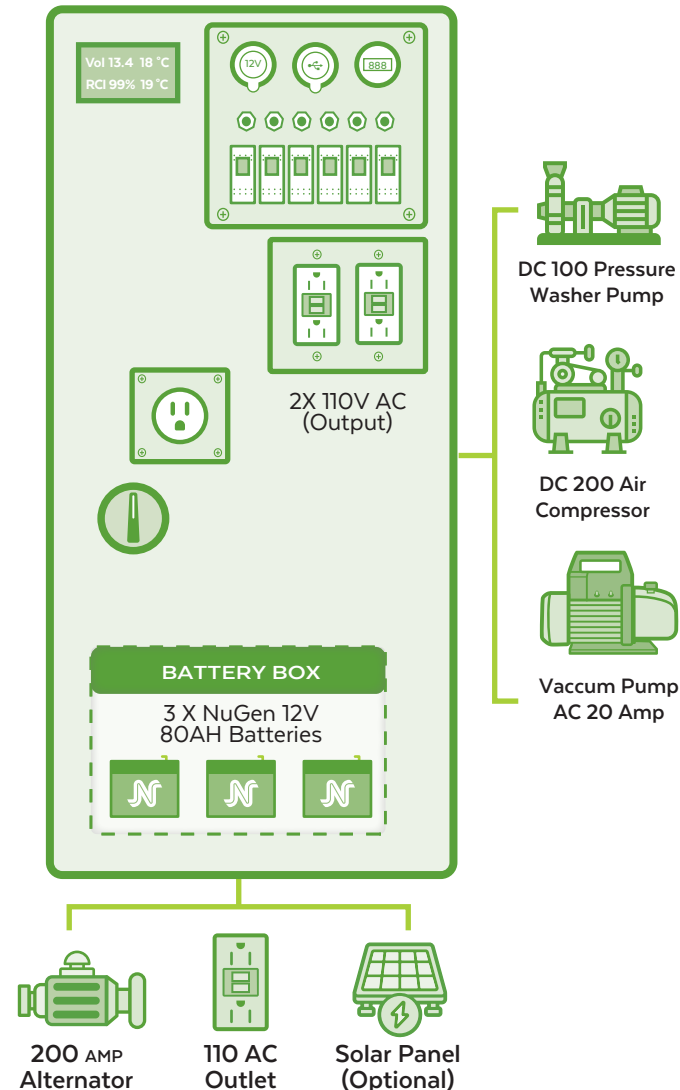


The Clean & Green NuGenerator 3000

NuGen Systems' NuGenerator 3000 is designed specifically as a green solution to replace mobile gas generators. Besides the quick charge and the high discharge current capability, **the solution is simple, silent, easy to use, more reliable and requires no maintenance.**

The modular solution can be easily configured, in parallel or series configurations, for higher capacities in 24V or 12V systems. The unit can be charged thru an AC outlet (110V) or externally from solar panel or alternator.

Designed for safety with high-power-rated, solid-state switches for internal power distribution. The unit comes with a swappable battery box designed for IP-65 environments. The power box has IOT capabilities and is designed to work in all kinds of rugged environments.



SPECIFICATIONS

OUTPUTS	12 Volt DC 100 Amp Switched output
	12 Volt DC 200 Amp Switched output
	2 x 110V 60Hz 20 Amps AC GFCI outputs with 2 Sockets each
EASY TO OPERATE DISPLAY FOR CONTROLS/STATUS	All outputs are controlled by front panel switches. Voltage, current, temperature and remaining capacity of individual batteries are displayed on a display.
DIMENSIONS	12"x28"x36"
INPUTS	110 Volt 60 Hz 20 Amps AC input
	12 Volt DC input from Vehicle Alternator (>200 Amp) or solar panels

BATTERY BOX - SWAPPABLE

NOMINAL VOLTAGE	12 V
NOMINAL CAPACITY (1c/1c)	240 Ah
CYCLE LIFE 1C/1C (TO 80% OF INITIAL, @100% DOD)	3000
MAX. CONTINUOUS CHARGE CURRENT	150 Amps
MAX. CONTINUOUS DISCHARGE CURRENT	200 Amps